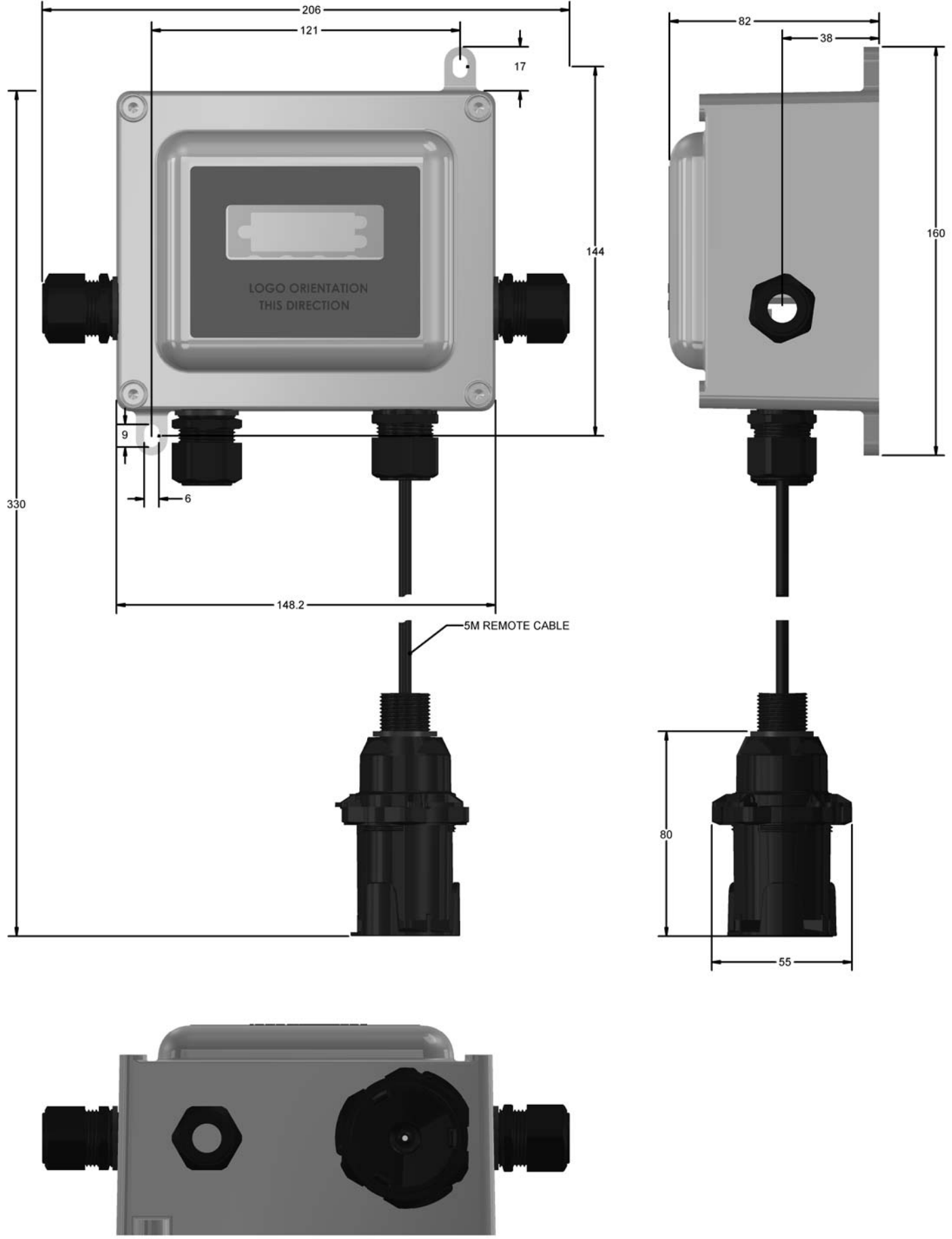
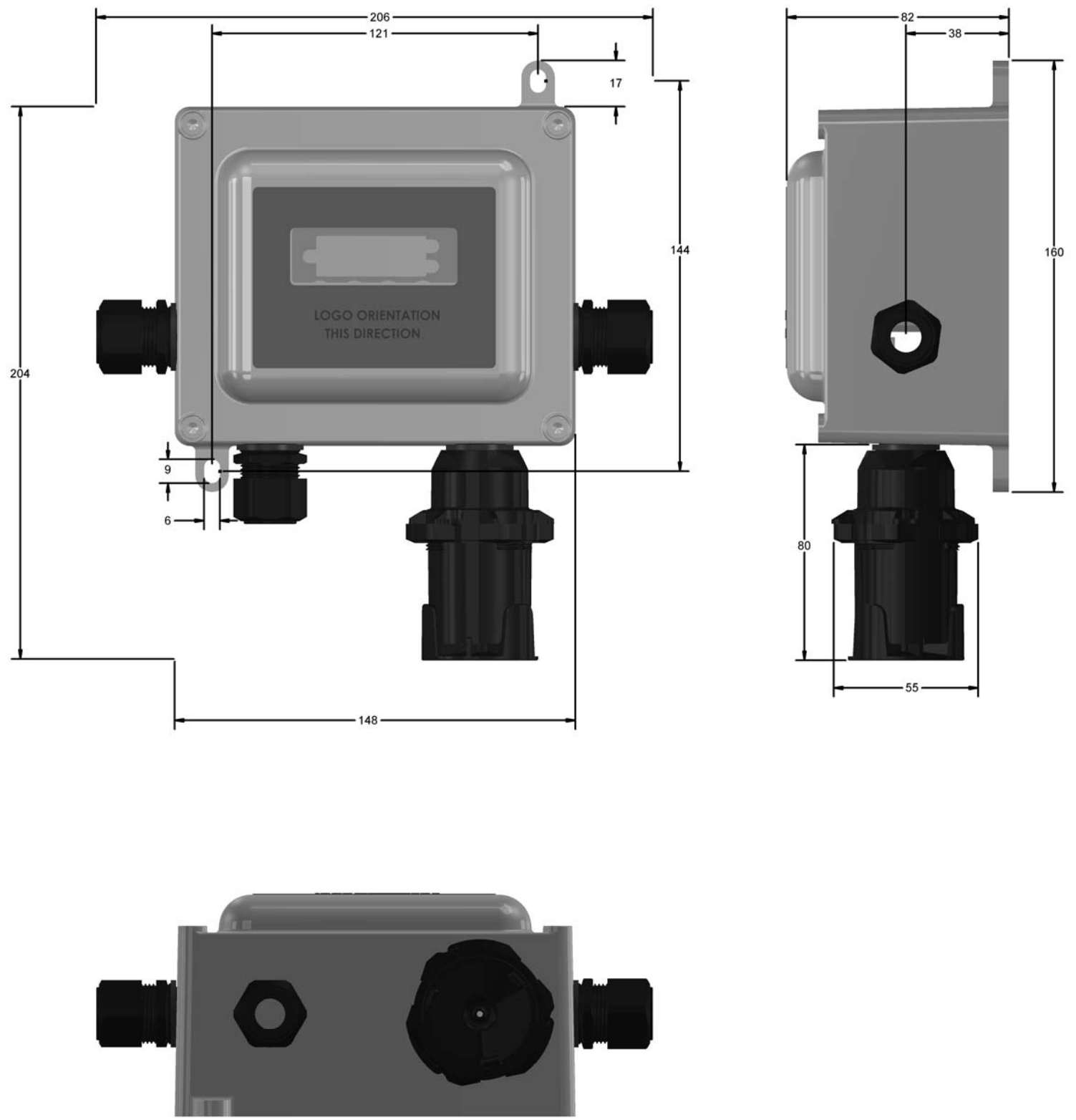


THIS PRINT IS THE PROPERTY OF BACHARACH INC., NEW KENSINGTON, PA. AND MUST BE RETURNED AFTER IT HAS SERVED ITS PURPOSE.



MGS-550 CP REMOTE SENSOR  
MGS-550 CP LOCAL SENSOR



REVISIONS				
ECN NO.	REV.	DESCRIPTION	DRAFTER DATE	APPRO. DATE
	A	CREATED DRAWING		

P	METRIC	TOLERANCE UNLESS OTHERWISE SPECIFIED			DO NOT SCALE DRAWING ALL DIMENSIONS ARE MILLIMETERS	BACHARACH®
		NO DEC.	1 PL. DEC.	2 PL. DEC.		
THE FOLLOWING INFORMATION IS: <input type="checkbox"/> APPLICABLE <input checked="" type="checkbox"/> NOT APPLICABLE THIS DOCUMENT IS THE PROPERTY OF BACHARACH INC. AND IS DELIVERED ON THE EXPRESS CONDITION THAT IT IS NOT TO BE DISCLOSED, REPRODUCED IN WHOLE OR IN PART, OR USED FOR MANUFACTURE FOR ANYONE OTHER THAN BACHARACH INC. WITHOUT ITS WRITTEN CONSENT. NO RIGHT IS GRANTED TO DISCLOSE OR SCALING INFORMATION CONTAINED IN SAID DOCUMENT. THIS RESTRICTION DOES NOT LIMIT THE RIGHT TO USE INFORMATION OBTAINED FROM ANOTHER SOURCE.		HOLES 0 THRU 4.5mm: +0.07 +0.07 5mm THRU 7mm: +0.07 +0.1mm 7mm THRU 12mm: +0.07 +0.2mm OVER 12mm: +0.07 +0.4mm			DFTR: 1/2/2003 CHKD: 4/2/2006 APPD: 7/8/2009	TITLE: d DRAWING NUMBER: e SHEET 1 OF 1
THIRD ANGLE PROJECTION		ANGLES: 5° MACHINED SURFACES: REMOVE ALL BURRS AND SHARP EDGES.			MATERIAL: FINISH:	SIZE REV: D f

Bacharach Inc. NEW KENSINGTON, PA.